

Mobile Crane

PK200002L SH

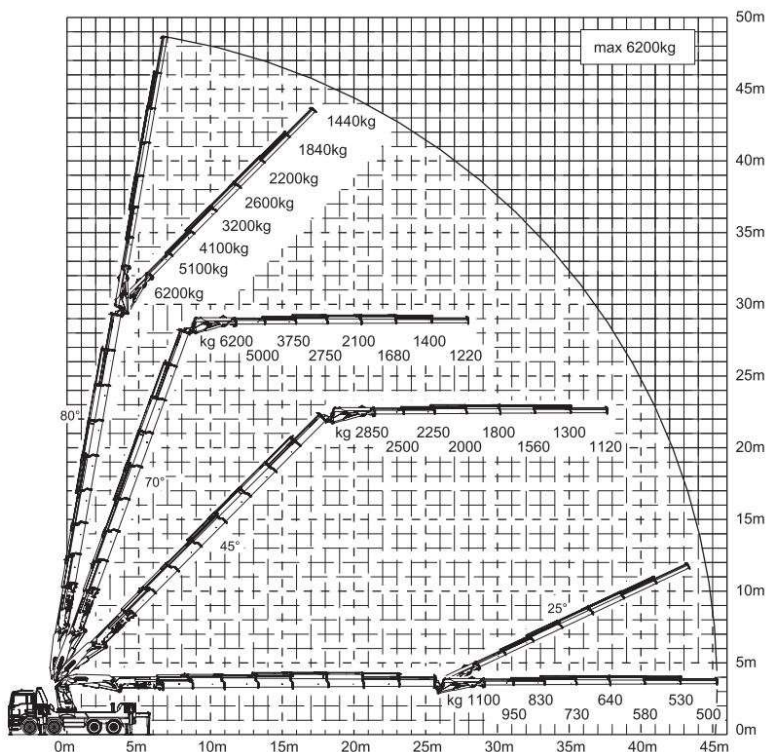
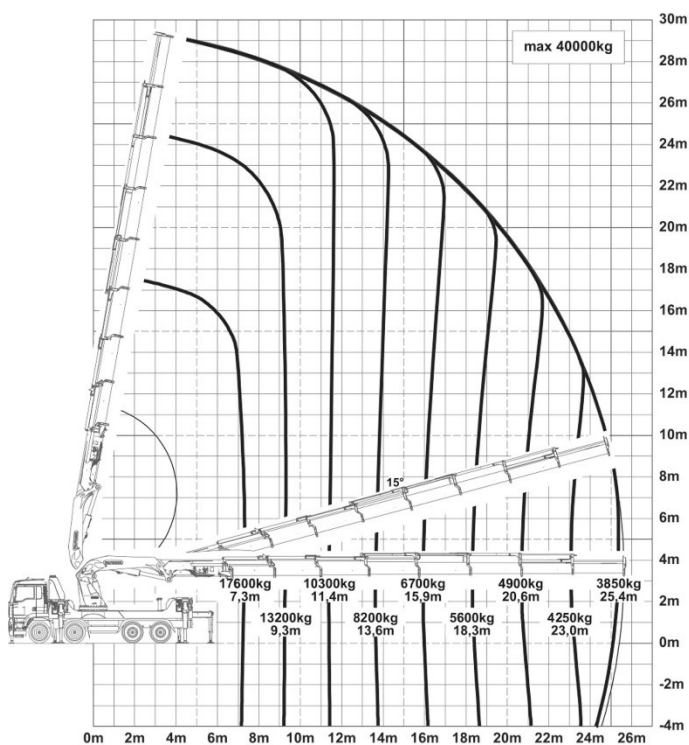
The largest Palfinger crane manufactured. This unit has the advantages of knuckle boom operation with a fly jib and winch to lift into those hard-to-reach places. It has a multi-function adaptor that extends the total reach to 50-meters. There is also a workman basket which attaches to the fly jib that fully complies as an elevated work platform.



Payload	N/A
Deck size	N/A
Crane max @ 7m	17,600kg
Crane max @ 50m	350kg

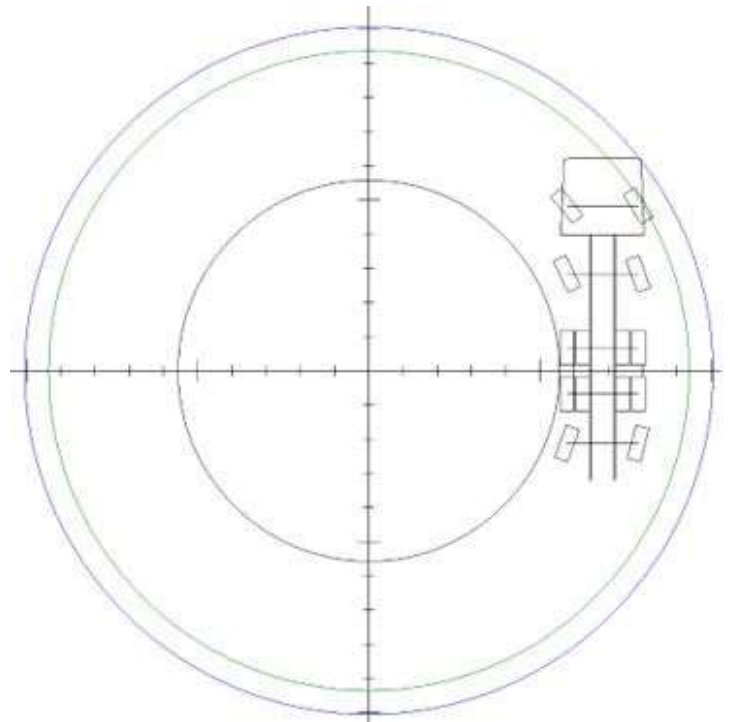
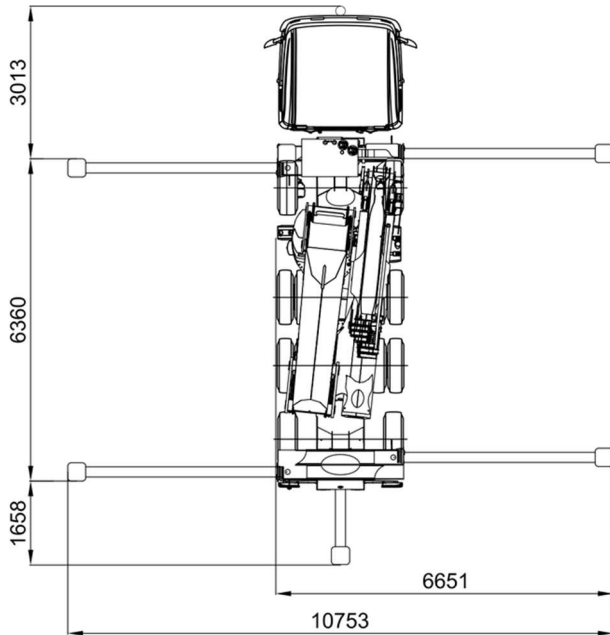
Overall length	9.98m
Overall Width	3.1m
Overall Height	3.78m
Tare weight	43,000 kg

Lifting Chart

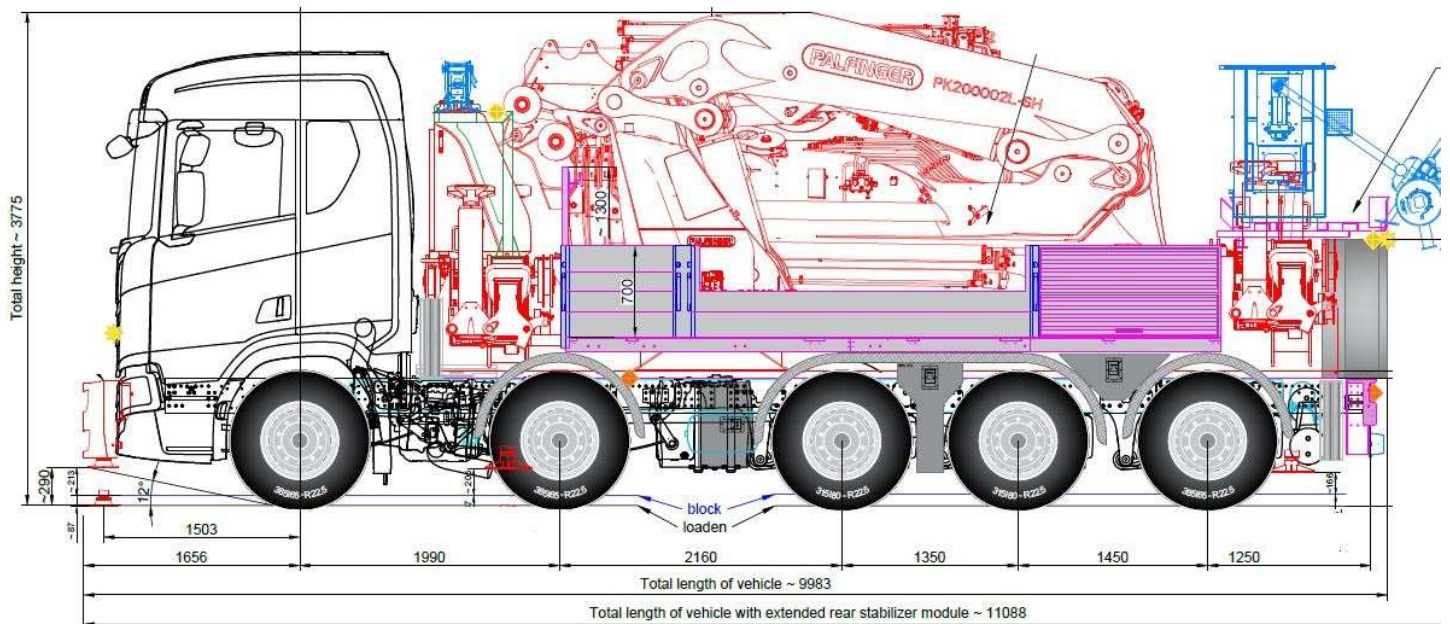


All information given are for reference only

STL200 Dimensions



Inner radius	5574	[mm]	?
Kerb, radius	9356	[mm]	?
Wall, radius	10052	[mm]	?
Steering angle	43.0	[deg]	?



All information given are for reference only



All information given are for reference only



All information given are for reference only