

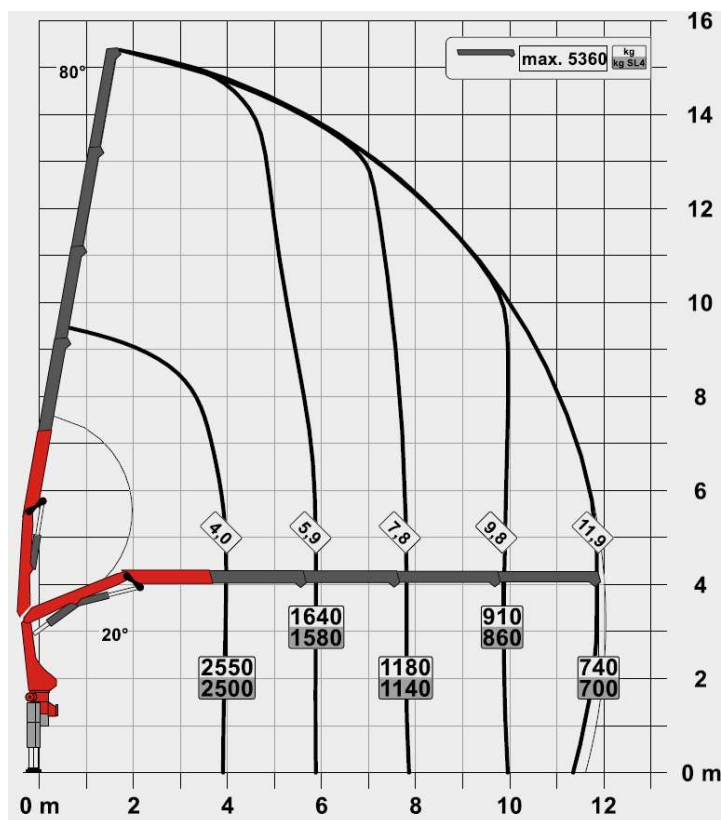
4- Wheeler Hiabs

Compact versatile units optimized for delivery of general building materials. This unit has been designed to maximize the payload with the crane's ability to lift material off on site.



Payload	6000kg	Overall length	9.7m
Deck size	2.5m X 6.5m	Overall Width	3m
Max length on deck	7.4m	Overall Height	3.2m
Crane max @ 4m	2500kg	Tare weight	9300kg
Crane max @ 12m	900kg		

Lift Chart



Crane models vary between 4-Wheeler trucks
Largest PK 12000 model chart is displayed

All information given are for reference only

4x4 Hiabs

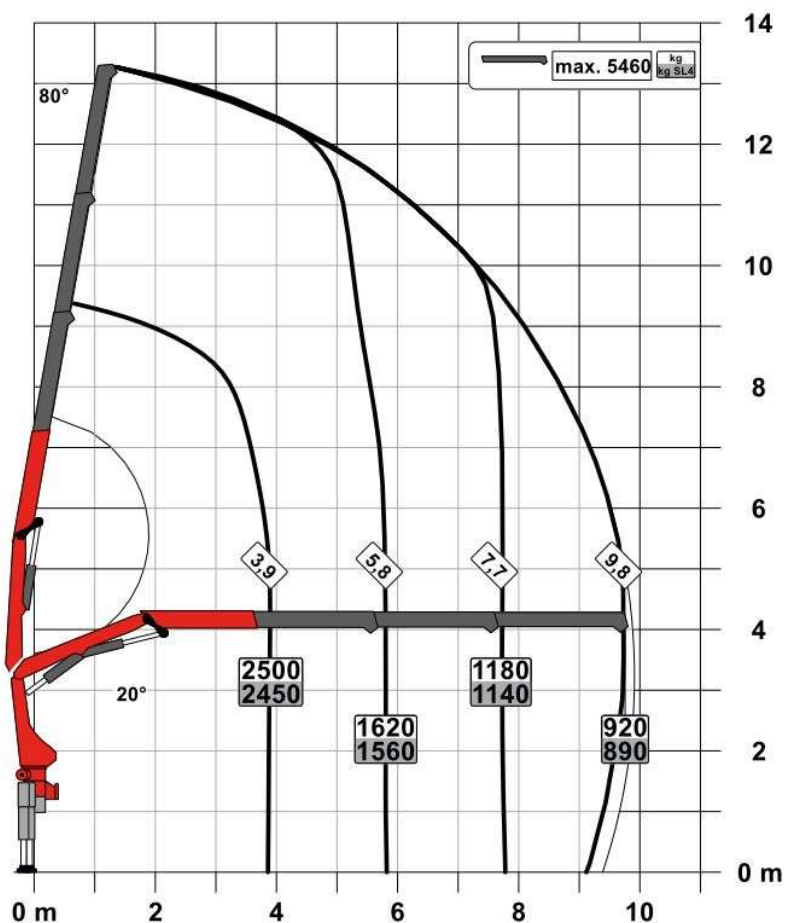
Ideal for those difficult roads or where there are no roads, this 4x4 will help get you to site where large trucks will get stuck.

With this truck being front mounted you can extend of the rear of the truck for any larger loads.



Payload	5000kg	Overall length	9m
Deck size	2.5m X 5.9m	Overall Width	3m
Max length on deck	6.9m	Overall Height	3.4m
Crane max @ 4m	2500kg	Tare weight	7,900kg
Crane max @ 9.6m	890kg		

Lift Chart



All information given are for reference only

6-Wheeler Hiabs

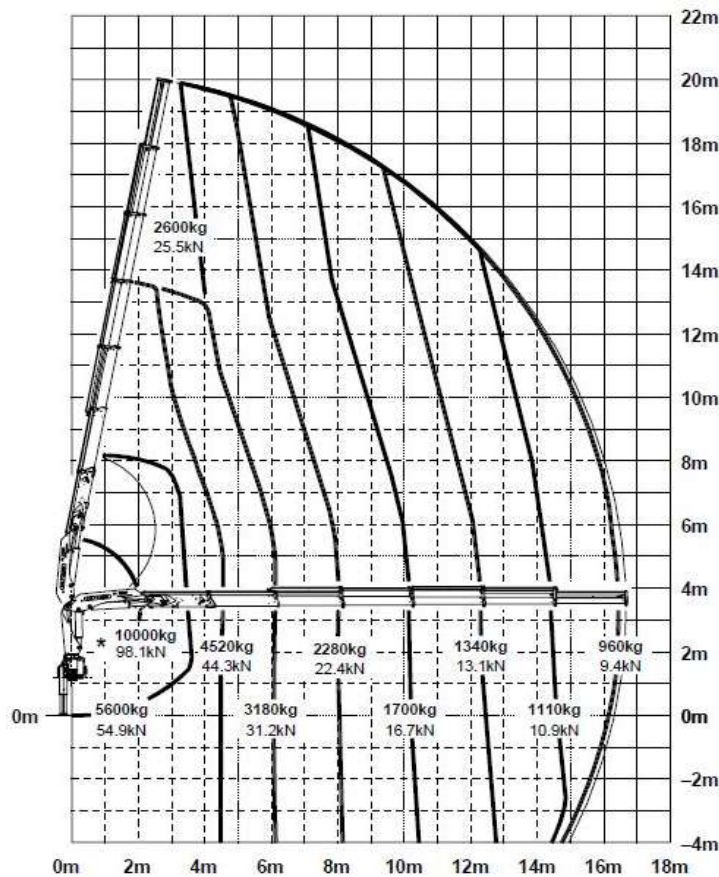
Great unit optimized for delivery of general materials.

These units have a heavier payload than our 4-wheeler as well as being equipped with a decent crane on the rear of the truck giving it the ability to place materials further into site.



Payload	8000kg	Overall length	10.3m
Deck size	2.5m X 7m	Overall Width	3.1m
Crane max @ 4m	4500kg	Overall Height	3.7m
Crane max @ 16m	960kg	Tare weight	12600kg

Lifting Chart



All information given are for reference only

8-Wheeler Hiabs

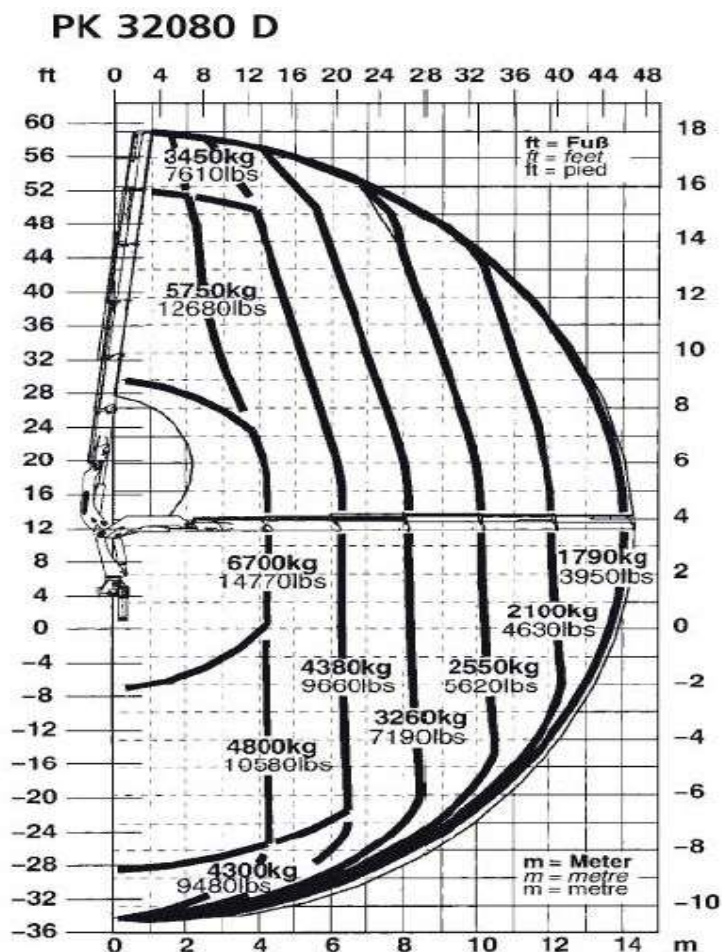
Front mounted

Designed to allow for transport of indivisible loads that are too long fit on our rear mounted 8 wheelers, this unit also has high payload great lifting crane and can also tow a trailer to help carry more freight.



Payload	9600kg	Overall length	9.8m
Deck size	2.5m X 6.6m	Overall Width	3.1m
Max length on deck	8.0m	Overall Height	3.6m
Crane max @ 4m	6700g	Tare weight	16400kg
Crane max @ 14m	1700kg		

Lifting Chart



All information given are for reference only

8-Wheeler Hiabs

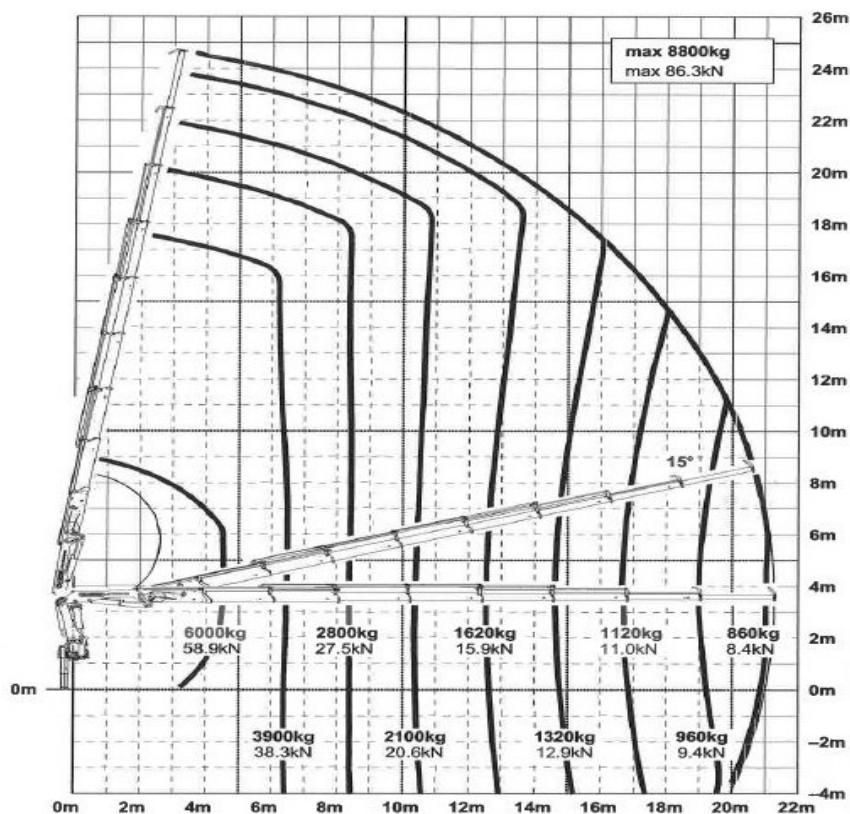
Rear Mounted

Well-equipped units to perform a range of tasks, they have great maneuverability and are fitted with a strong performing crane for heavy lifts in close or reaching up to 23m these units can also tow a trailer.



Payload	7000kg	Overall Width	3.1m
Deck size	2.5m X 6.4m	Overall Height	3.7m
Crane max @ 4m	6000kg	Tare weight	19000kg
Crane max @ 23m	500kg	Attachments:	2.5tn Winch
Overall length	10.5m		

Lifting Chart



Crane models vary between 8-Wheeler trucks
 PK 33000 model chart is displayed – with Manual etensions reaches 23 metres

All information given are for reference only

10-Wheeler Hiabs

Our largest rigid unit designed fitted with our high performing Pk50 crane as well as ample deck space for cartage of materials. Along with exceptional long reach abilities of the crane this crane is also a strong performer with heavy in close lifts.

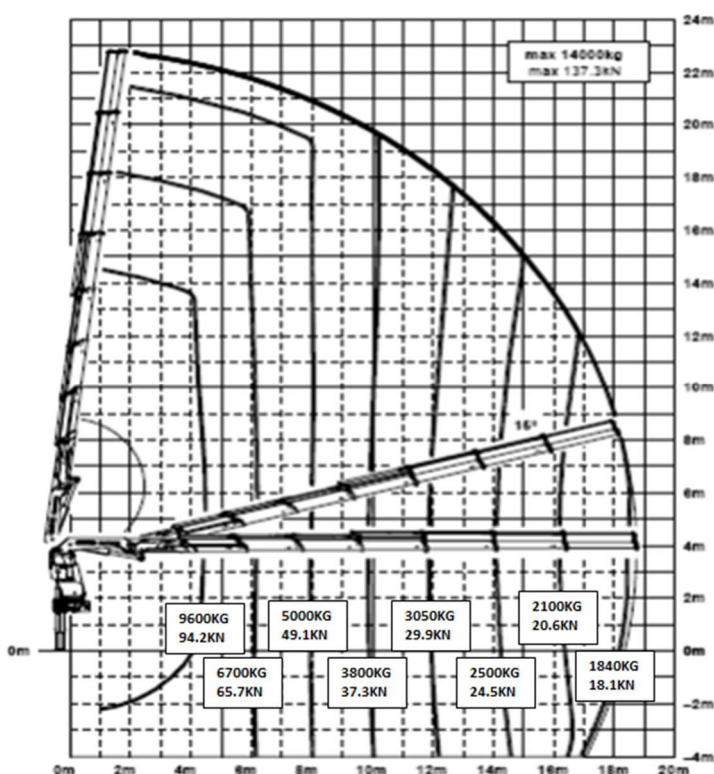


Payload 5800kg
 Deck size 2.5m X 6.6m
 Crane max @ 4m 9600kg
 Crane max @ 32m 350kg

Overall length 12m
 Overall Width 3.1m
 Overall Height 4.2m
 Tare weight 23000kg
 Attachments 2.5tn Winch or Workman Basket

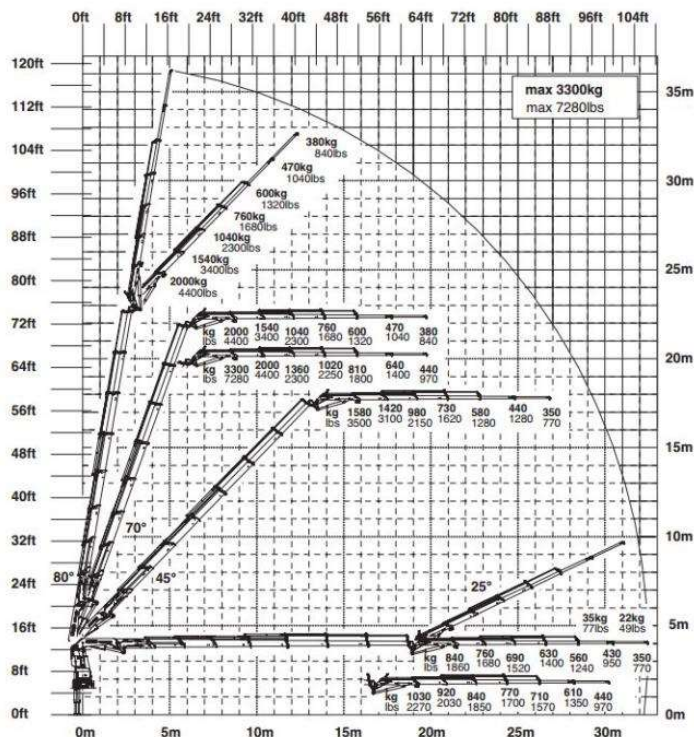
Lifting Chart

Without Flyjib



With Flyjib

F PJ080C JV2 DPS PLUS



All information given are for reference only

Artic Hiabs

Truck Mounted

An extremely versatile artic unit with different configurations to suit the job at hand, the truck can be equipped with a demountable deck to be used as a rigid unit or an array of artic trailers can be attached from a trombone trailer for long loads to a low-loader for over height loads. It is equipped with our pk53 crane which has excellent long reach and winch capability.



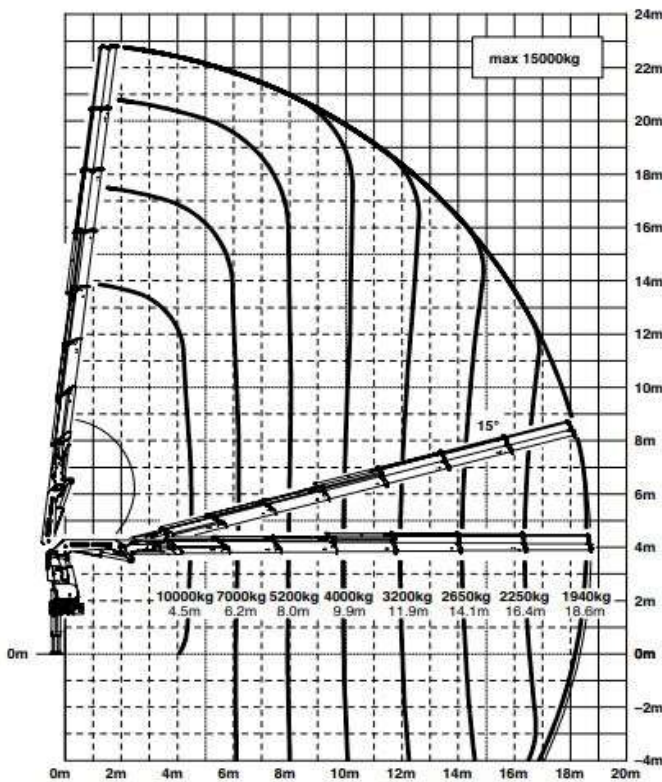
Payload	5800kg
Deck size	2.5m X 5.3m
Crane max @ 4m	10,000kg
Crane max @ 32m	370kg

Overall length	12m
Overall Width	3.1m
Overall Height	4.2m
Tare weight	23000kg
Attachments:	Winch/ Demountable deck

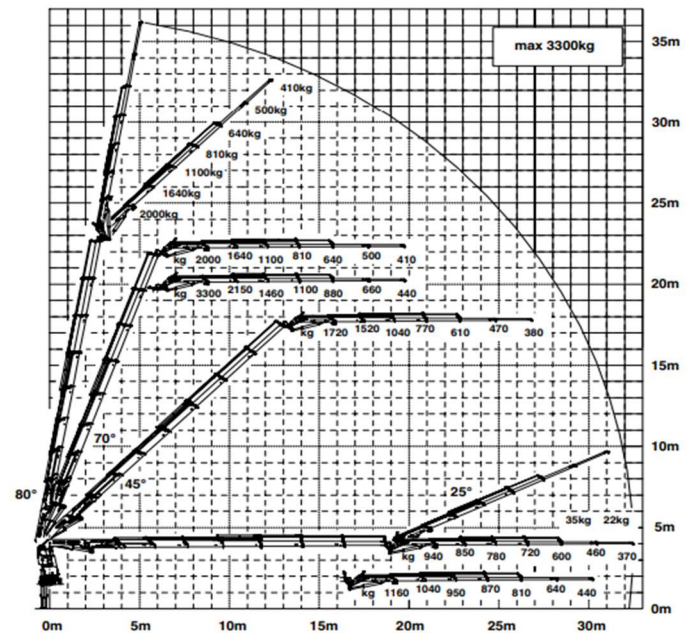
Lifting Chart

Without Flyjib

With Flyjib



F PJ080C JV2 DPS PLUS



All information given are for reference only

Mobile Crane

PK200002L SH

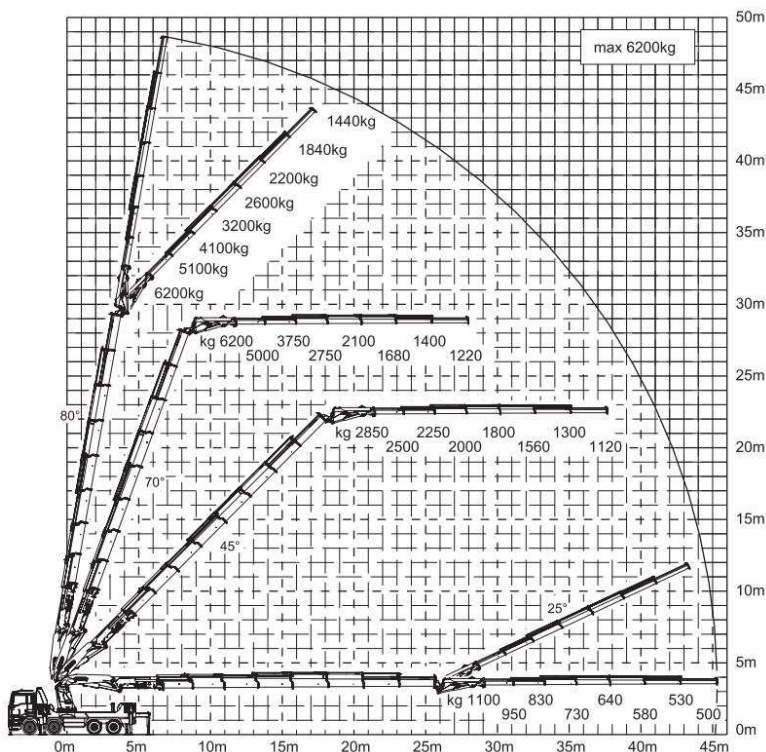
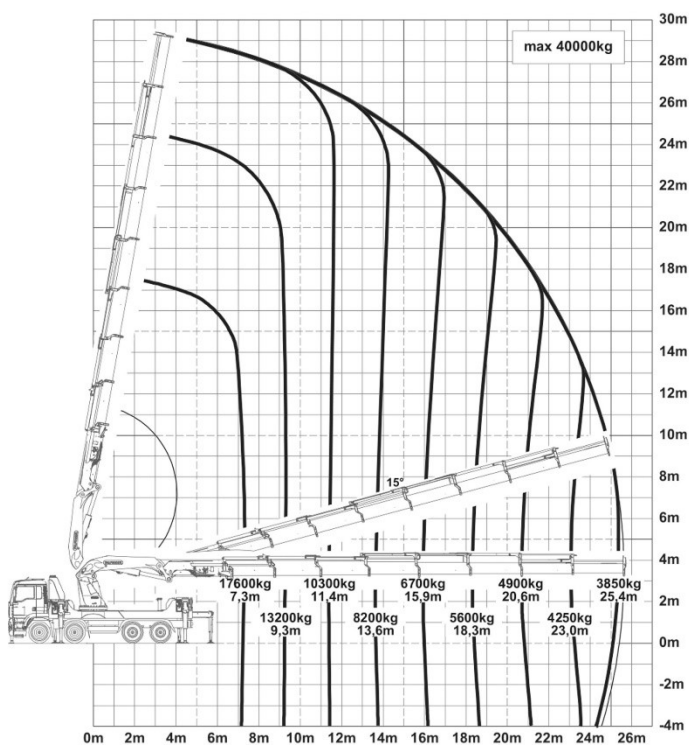
The largest Palfinger crane manufactured. This unit has the advantages of knuckle boom operation with a fly jib and winch to lift into those hard-to-reach places. It has a multi-function adaptor that extends the total reach to 50-meters. There is also a workman basket which attaches to the fly jib that fully complies as an elevated work platform.



Payload	N/A
Deck size	N/A
Crane max @ 7m	17,600kg
Crane max @ 50m	350kg

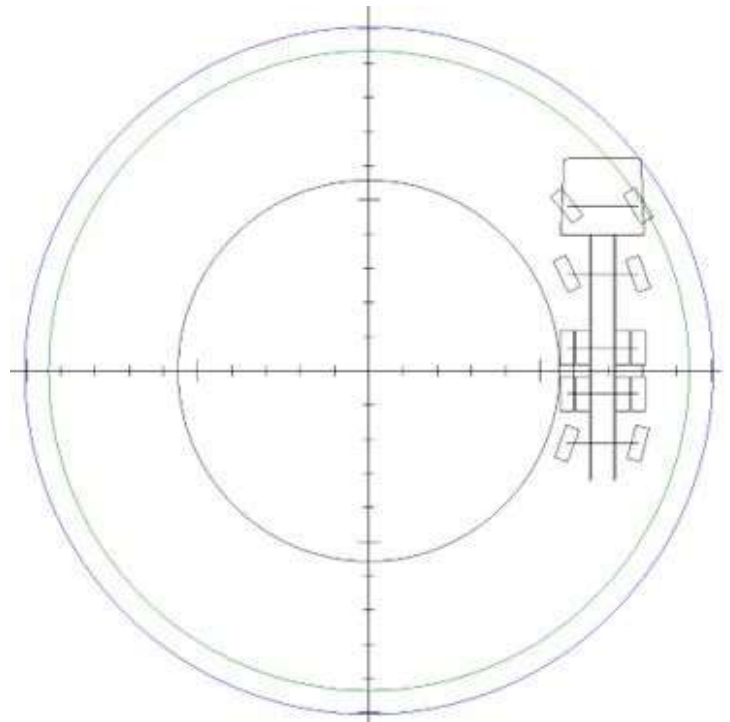
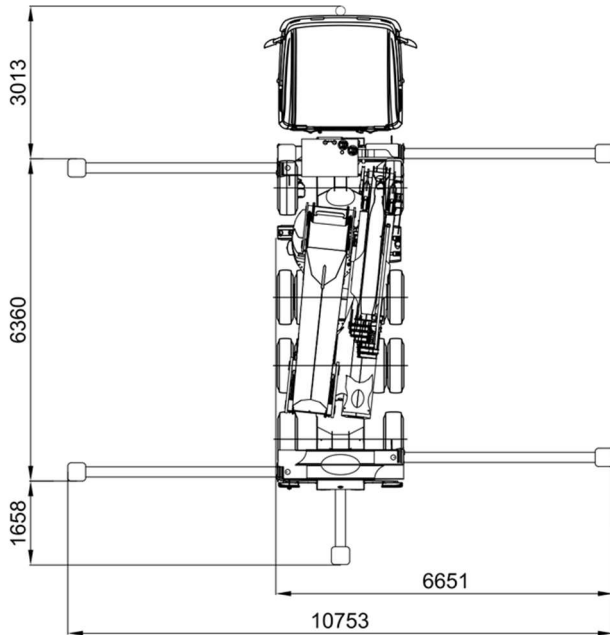
Overall length	9.98m
Overall Width	3.1m
Overall Height	3.78m
Tare weight	43,000 kg

Lifting Chart

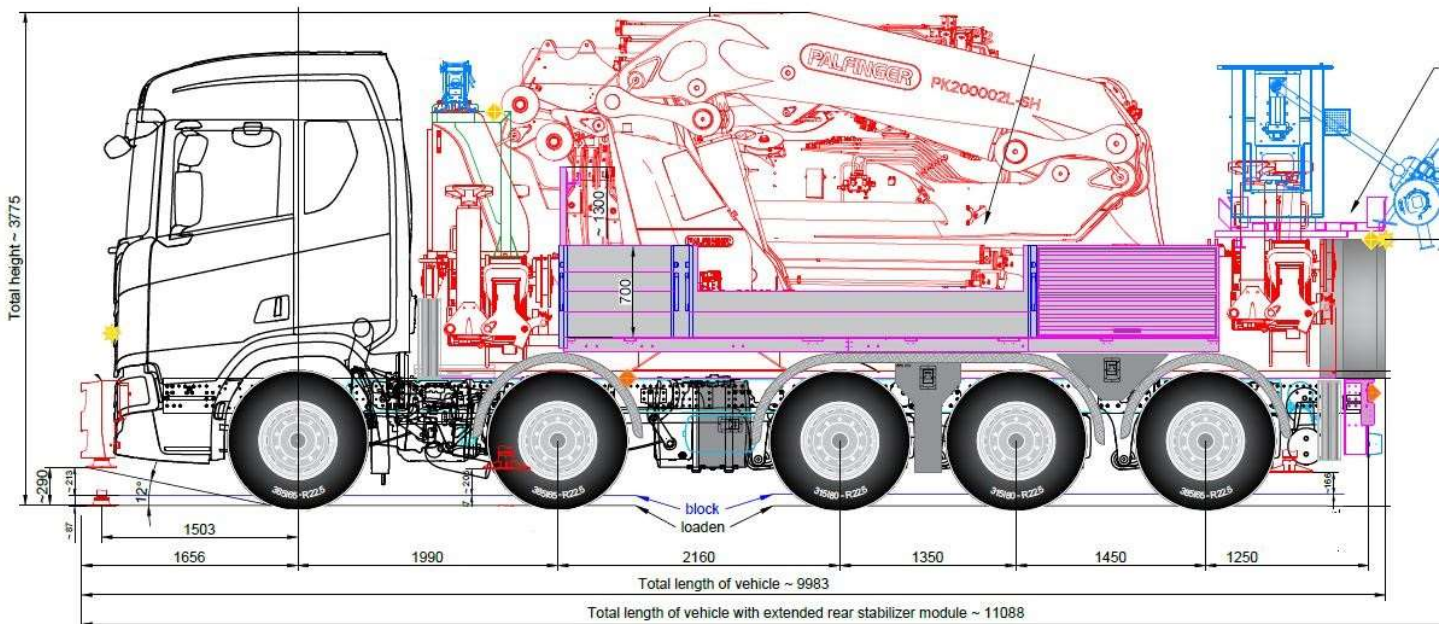


All information given are for reference only

STL200 Dimensions



Inner radius	5574	[mm]	?
Kerb, radius	9356	[mm]	?
Wall, radius	10052	[mm]	?
Steering angle	43.0	[deg]	?



All information given are for reference only



All information given are for reference only



All information given are for reference only